



# EHW

## Hollow Type Encoder



### Electrical Spec. 电气规格

Detection System 编码器类型	Incremental 增量型
Power Source 电源电压	DC 5V, 8 ~ 24V
Current Consumption 消耗电流	60 mA or below
Response Frequency 响应频率	30 KHz
Output Voltage 输出电压	VoH: Vcc - 0.7V, VoL: 0.5V
Output Phase 输出相位	A, B
Output Wave Form 输出波形	
Output Mode 输出型态	Open Collector, Voltage

### Connection 接线方式

Red	Black	White
+	-	A
Green	Shield	
B		

### Application 应用

- Industry Machine 产业机械

### Feature 特点

- Big Size 体积大
- Bore Diameter Options Available 孔径大小可选择

### Resolution 分辨率

20, 30, 40, 50, 60, 100, 120, 200, 300, 360, 400, 500 P/R

### Mechanical Spec. 机械规格

Shaft Diameter 轴径	Φ 15, Φ18mm
Starting Torque 启动转矩	1.5 Ncm
Shaft Loading 轴荷重	Radial 径向: 100 N Axial 轴向: 60 N
Max. R.P.M. 最大转速	6000
Net Weight 净重	680g

### Environmental Spec. 环境条件

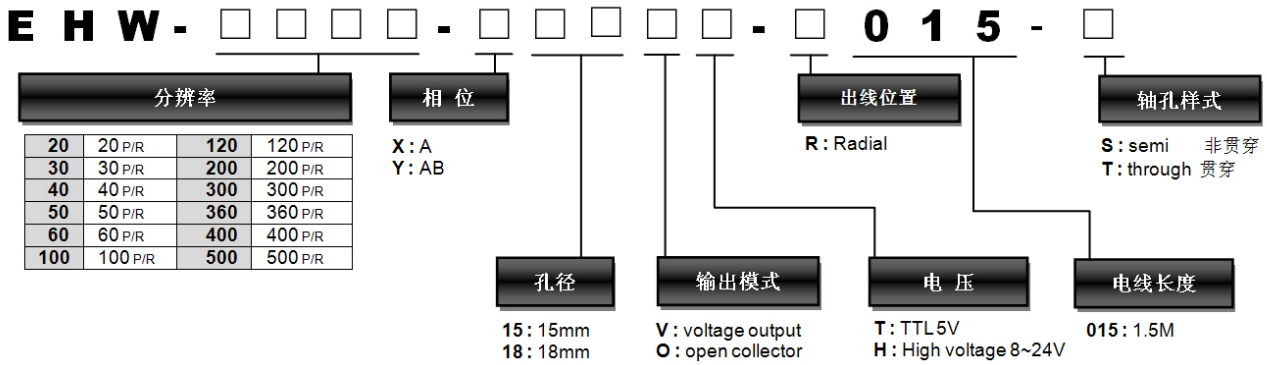
Operating Temp. 操作温度	-10 ~ +70°C
Storage Temp. 保存温度	-20 ~ +80°C
Operating Humidity 操作湿度	RH 85% max non-collecting
Shock 冲击	490 m/s <sup>2</sup> , 3Dx2 times
Vibration 震动	0.6mm, 10~55KHz, 3Dx30min.
Protection 防护等级	IP 54



# EHW

Hollow Type Encoder

## Ordering Information 订购信息



## Mechanical Drawing 外型尺寸

Unit: mm

