



# HS301

Encoder Module



## Feature

- Two Channel Quadrature Output
- Easy Mounting
- Low Cost
- Compact Size
- TTL Compatible
- Single 5V DC Supply

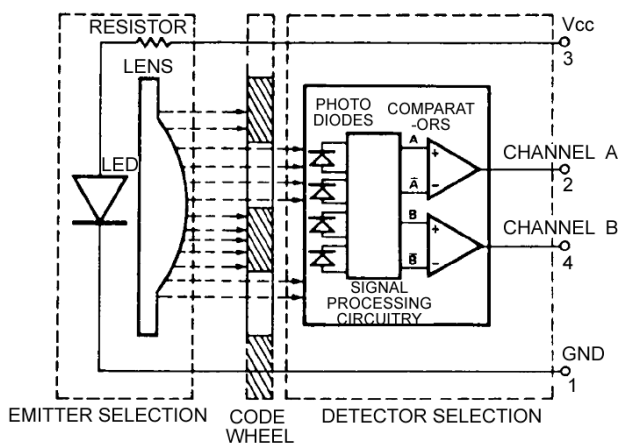
## Absolute Maximum Ratings

|                            |                               |
|----------------------------|-------------------------------|
| Operating / Storage Temp.  | -40°C ~ +85°C                 |
| Supply Voltage             | 4.5 ~ 5.5V                    |
| Output Voltage             | VoH: Vcc - 0.7V,<br>VoL: 0.4V |
| Output Current per Channel | 5mA                           |
| Response Frequency         | 20kHz                         |

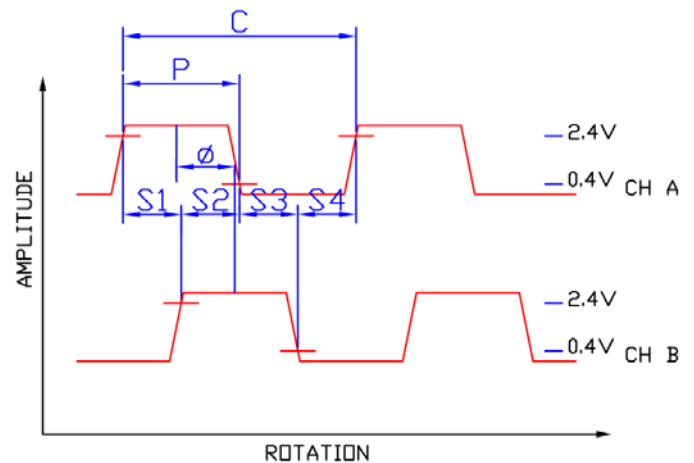
## Resolution

96, 100, 192, 200, 256, 360, 400, 500, 512 ,  
1000, 1024, 1200, 1250 CPR

## Block Diagram



## Output Waveform





# HS301

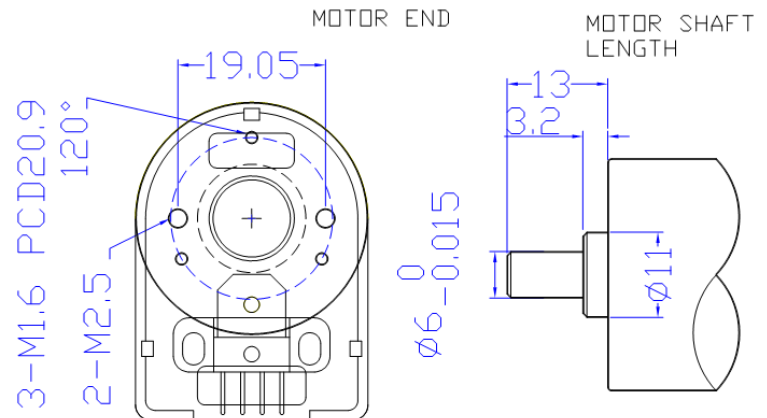
Encoder Module

## Ordering Information

HS301 -  P -

| Resolution            | Shaft Diameter              | Hub                                |
|-----------------------|-----------------------------|------------------------------------|
| <b>96:</b> 96 CPR     | <b>3:</b> 3mm               | <b>A:</b> aluminum                 |
| <b>100:</b> 100 CPR   | <b>4:</b> 4mm               | <b>P:</b> plastic<br>(push-on-hub) |
| <b>192:</b> 192 CPR   | <b>5:</b> 5mm               |                                    |
| <b>200:</b> 200 CPR   | <b>6:</b> 6mm*              |                                    |
| <b>256:</b> 256 CPR   | <b>6.35:</b> 6.35mm (1/4")* |                                    |
| <b>300:</b> 300 CPR   | <b>8:</b> 8mm               |                                    |
| <b>360:</b> 360 CPR   |                             |                                    |
| <b>400:</b> 400 CPR   |                             |                                    |
| <b>500:</b> 500 CPR   |                             |                                    |
| <b>512:</b> 512 CPR   |                             |                                    |
| <b>1000:</b> 1000 CPR |                             |                                    |
| <b>1024:</b> 1024 CPR |                             |                                    |
| <b>1200:</b> 1200 CPR |                             |                                    |
| <b>1250:</b> 1250 CPR |                             |                                    |

## Mounting Considerations (Unit: mm)



## Package Dimension (Unit: mm)

