



HS302

Encoder Module



Feature

- Two Channel Quadrature Output with Index Pulse
- Low Cost
- Easy to Mount
- No Signal Adjustment required
- Small Size
- TTL Compatible
- Single 5V Supply

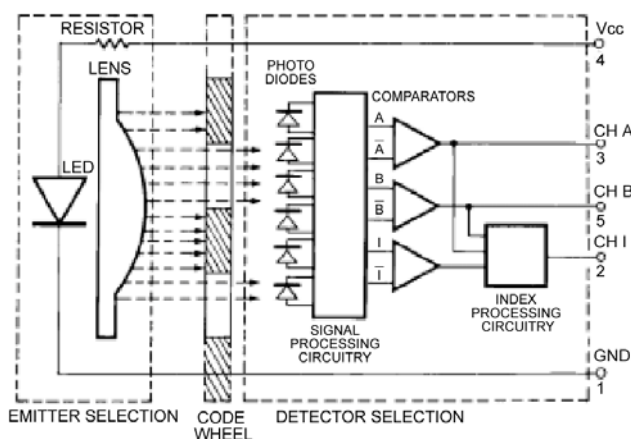
Absolute Maximum Ratings

Operating / Storage Temp.	-40°C ~ +85°C
Supply Voltage	4.5 ~ 5.5V
Output Voltage	VoH: $V_{cc} - 0.7V$, VoL: 0.4V
Output Current per Channel	5mA
Response Frequency	100 KHz

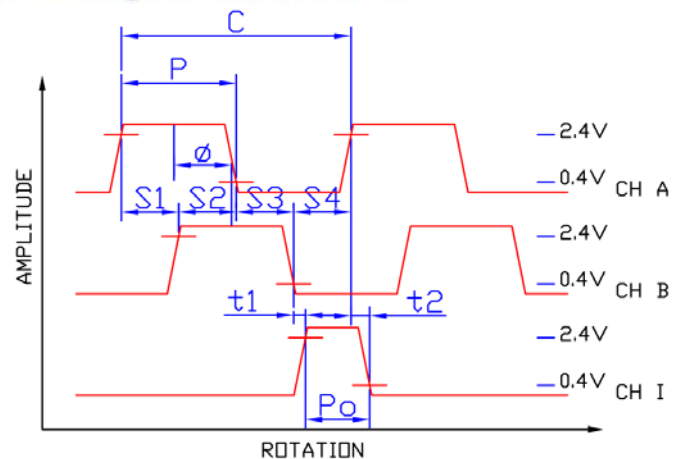
Resolution

50, 96, 100, 200, 256, 360, 400, 500,
512, 1000, 1024 CPR

Block Diagram



Output Waveform





HS302

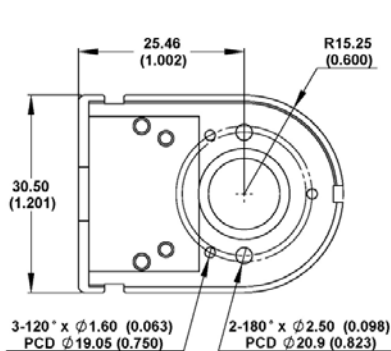
Encoder Module

HS302 - P -

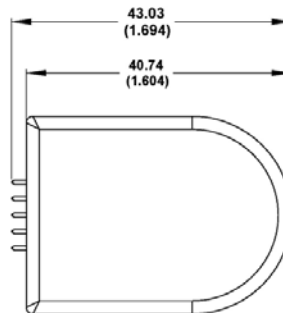
<u>Resolution</u>	<u>Shaft Diameter</u>	<u>Hub</u>
50: 50 CPR	3: 3mm	A: aluminum
100: 100 CPR	4: 4mm	P: plastic
200: 200 CPR	5: 5mm	(push-on-hub)
256: 256 CPR	6: 6mm	
360: 360 CPR	6.35: 6.35mm (1/4")	
400: 400 CPR	8: 8mm	
500: 500 CPR		
512: 512 CPR		
1000: 1000 CPR		
1024: 1024 CPR		

Mechanical Specification

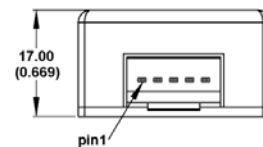
Package Dimensions



Top View (base plate only)



Top View



Side View

Note: Dimensions in millimeters (inches)

PinOut

Pin	Description
1	Ground
2	Index
3	Channel A
4	DC +5V
5	Channel B