



MFC-221

Counter Series



Description

Especially meet to the clothe checking machine, together with Measuring Wheel Sensor "EHM OR HM Series"

6 digit up/down counter, resetable and 3 digit line speed meter

LED display with 9mm high characters and very high luminosity

Display range line speed meter 0 – 999 meter per min.

Counter -199999 – 999999

Programming of count functions and operating parameter via the setting key.

During programming the display guides the user with text prompts.

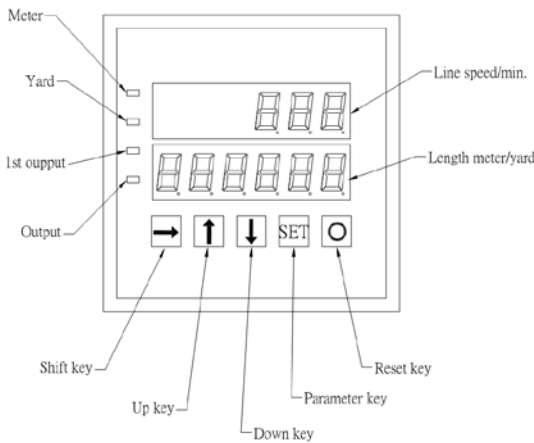
High performance industry risc chip with EEPROM

Offer sensor power DC12V 80mA, protect with self-recovery fuse

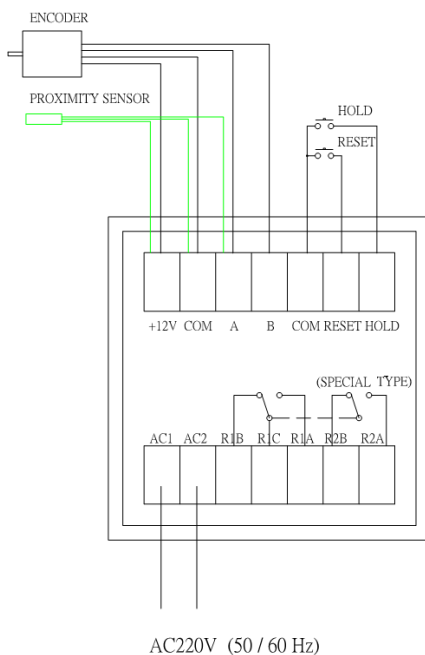
A & B differential input, count frequency 10 K Hz, single channel signal input,

Count frequency 30 Hz.

Panel Description



Terminal Description

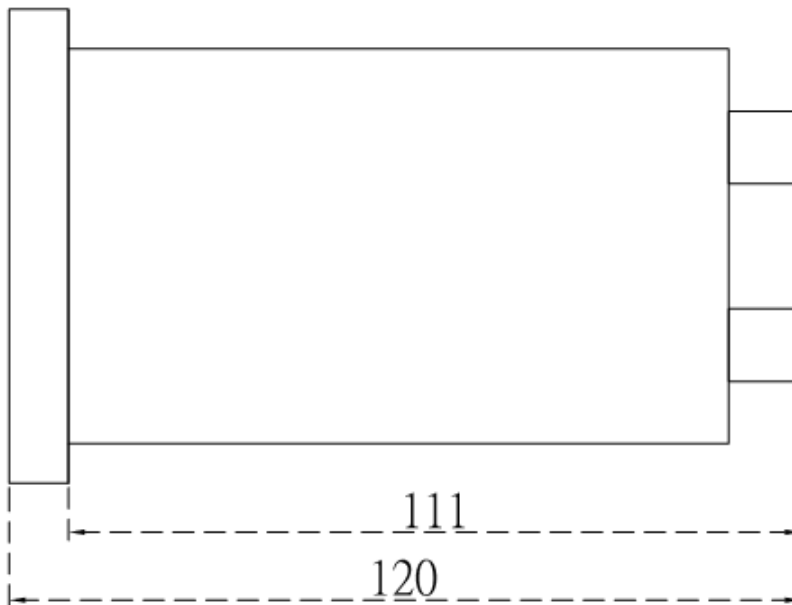
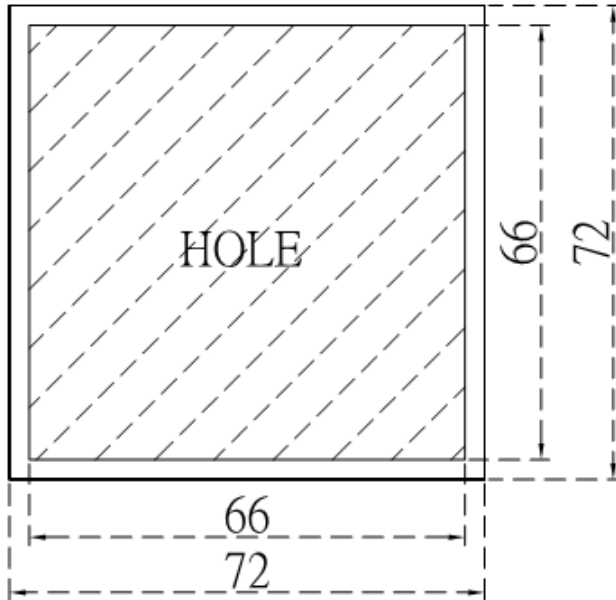




MFC-221

Counter Series

Outline (Unit: mm)





MFC-221

Counter Series

Parameter Description

Parameter	Description	Range	Default
SET	Output Setting	1 ~ 99999	1000
UNT	Unit Select 0: Meter 1: Yard	0 ~ 1	0
LEF	Parameter Lock 0: Un-Lock 1: Lock	0 ~ 1	0
dLY	Output Delay	0 ~ 25.5 (second)	0
Pat	Decimal Position	0 ~ 5	1
rto	Ratio Adjustment	0.0001 ~ 6.5535	1.0000
PHE	Input Channel 1: Single Channel 2: A / B Differential Channel	1 ~ 2	2
rSE	Reset Mode 0: External Clear 1: Delay Clear 2: Real Time Clear	0 ~ 2	0
S-r	Line Speed Ratio	0.0001 ~ 6.5535	1.0000
S-p	Line Speed Decimal Position	0 ~ 2	1

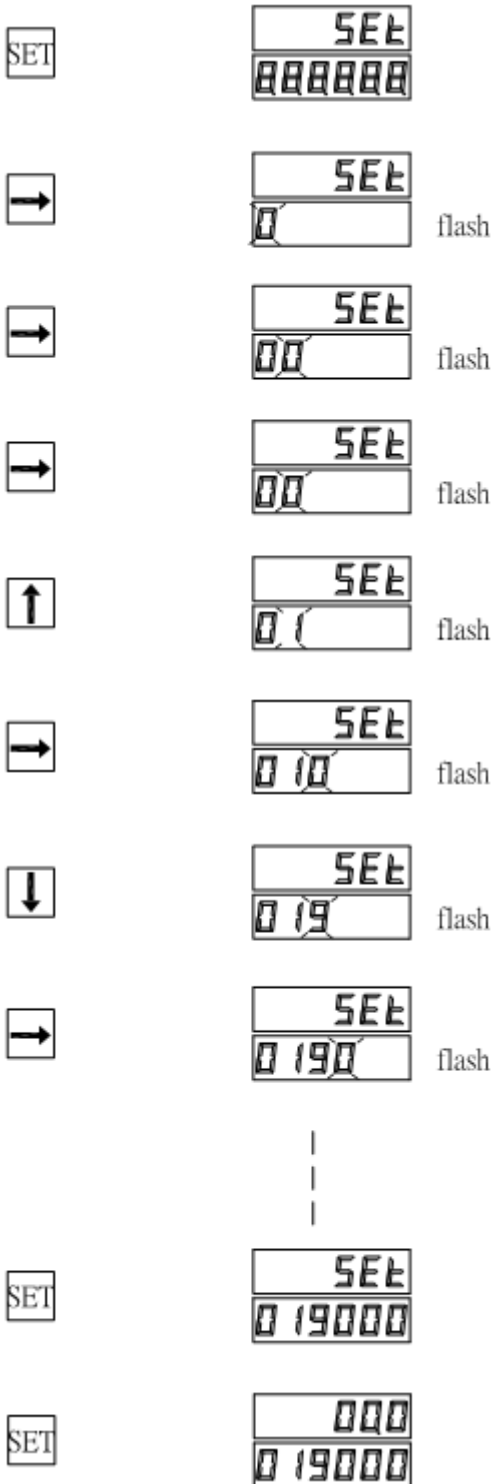


MFC-221

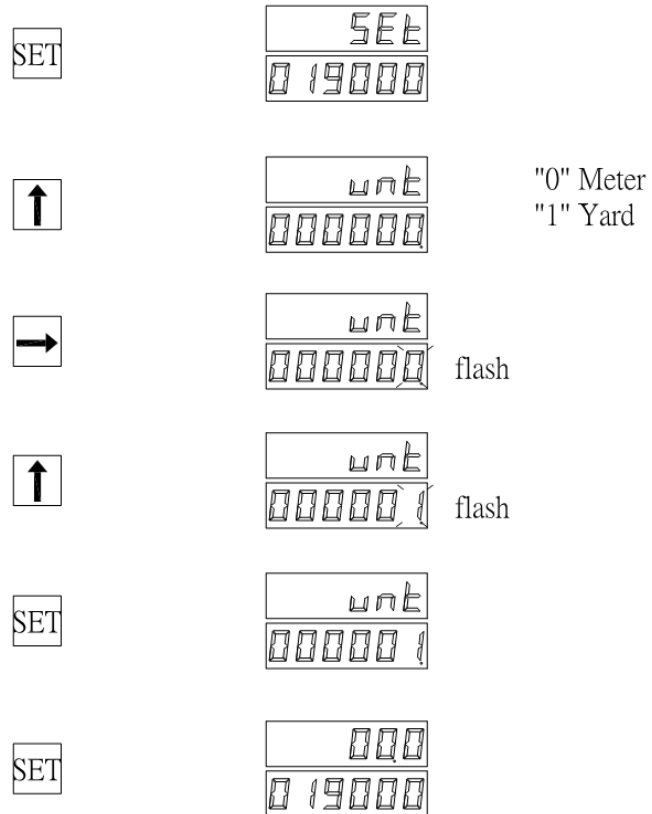
Counter Series

Parameter Operating

6-1 Counting setting



6-2 Unit select





MFC-221

Counter Series

6-3 Lock

SET		
↑		
↑		"0" Un-lock "1" Lock after the parameter "2" Lock all parameter
→		flash
↑		flash
SET		
SET		

6-2 Delay time setting

SET		
↑		
↑		
↑		range 0-25.5 sec
→		flash
↑		flash
→		flash
→		flash
SET		delay 10 sec
SET		



MFC-221

Counter Series

6-4 Decimal point

SET		
↑		
↑		
↑		
↑		range 0-5
→		flash
SET		0.1
SET		

6-5 Ratio (compensation)

SET		
↑		
↑		
↑		
↑		
↑		range 0.0001-6.5535
→		flash
SET		ratio 1
SET		



MFC-221

Counter Series

6-7 Signal type

SET	SEt 0 19000	
↑	unt 000000	
↑	LCR 000000	
↑	dLY 000000	
↑	Por 000000	
↑	rto 0 10000	
↑	PHC 00000 1	"1" single signal "2" A/B dual channel
→	PHC 00000 1	flash
↑	PHC 00000 2	flash
SET	PHC 00000 2	A/B dual channel
SET	000 0 19000	

6-8 Reset mode

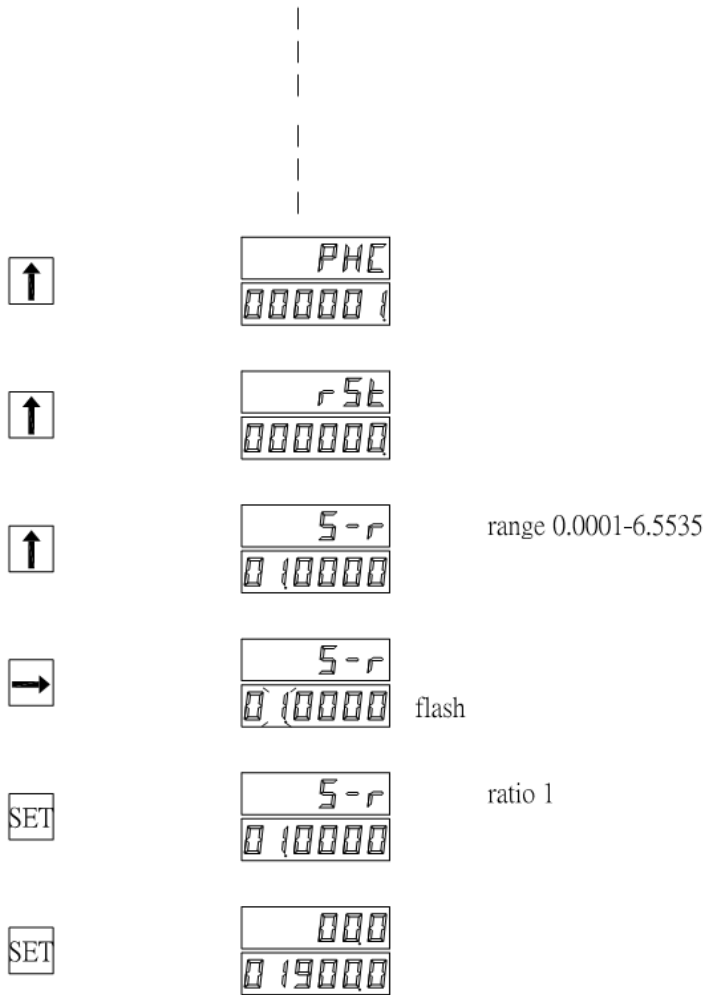
↑	PHC 00000 1	
↑	rSt 000000	"0" external reset "1" delay reset "2" real time reset
→	rSt 000000	flash
↑	rSt 00000 1	flash
SET	rSt 00000 1	"1" have to together with delay time setting
SET	000 0 19000	



MFC-221

Counter Series

6-9 Line speed ratio



6-10 Line speed decimal point

